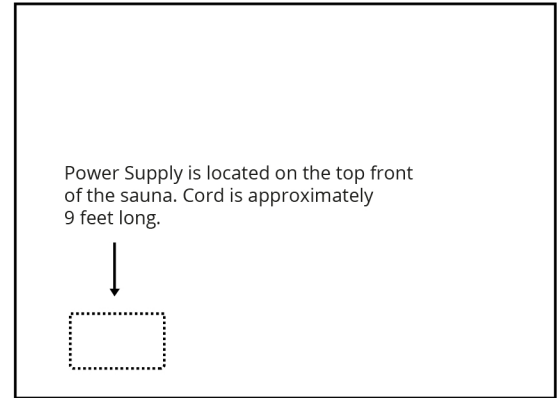
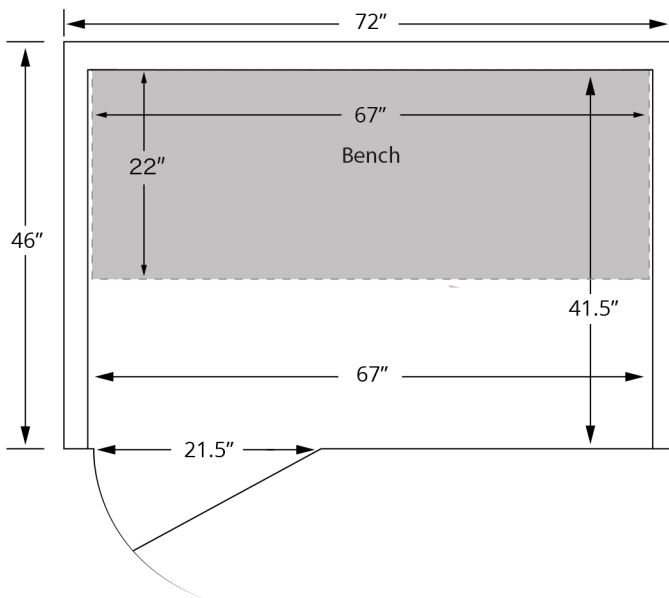


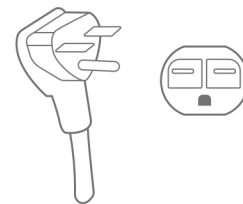
Back



Top View



15 AMP/240V outlet required
NEMA 6-15



SPECIFICATIONS

CONSTRUCTION

Canadian Grade "A" Clear Western Thermal Plus™ European Aspen Tongue & Groove Construction Insulated Walls 8mm Tempered Glass

EXTERIOR

Width: 72"
Sides: 46"
Height: 78"
Door: 21.5"

INTERIOR

Width: 67"
Depth: 41.5"
Height: 70"
Bench: 67" x 21"

INFRARED HEATERS

Spectrum Plus™
UL Listed Heater
Low EMF/ELF
Power: 240v / 3150w / 15A

WARRANTY

10-Years Cabin
Lifetime Spectrum Plus™
5-Years Outdoor
5-Years Commercial