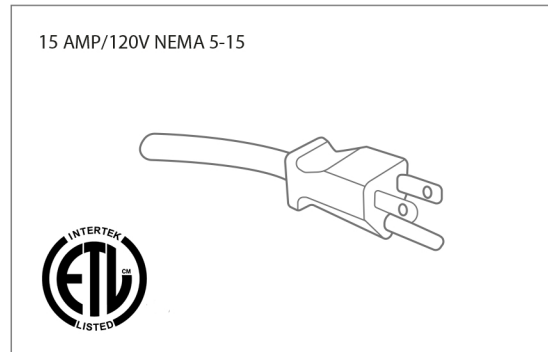
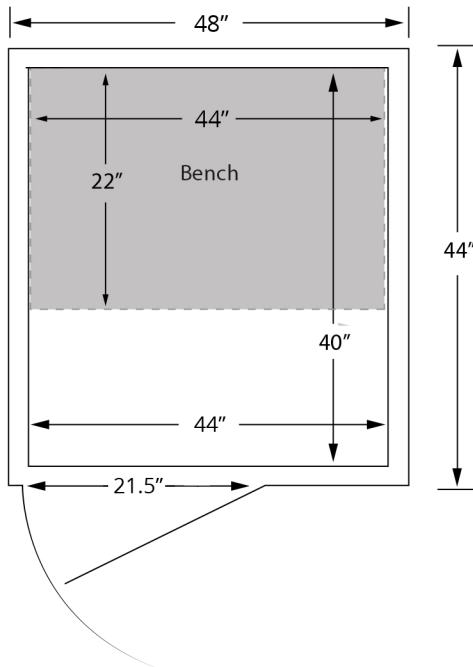


Top View



SPECIFICATIONS

CONSTRUCTION

Canadian Grade "A" Clear Western Thermal Plus™ European Aspen Tongue & Groove Construction Insulated Walls 8mm Tempered Glass

EXTERIOR

Width: 48"
Sides: 44"
Height: 78"
Door: 21.5"

INTERIOR

Width: 44"
Depth: 40"
Height: 70"
Bench: 44" x 22"

INFRARED HEATERS

Spectrum Plus™
UL Listed Heater
Low EMF/ELF
Power: 120V / 1750w / 15A

WARRANTY

10-Years Cabin
Lifetime Spectrum Plus™
5-Years Outdoor
5-Years Commercial