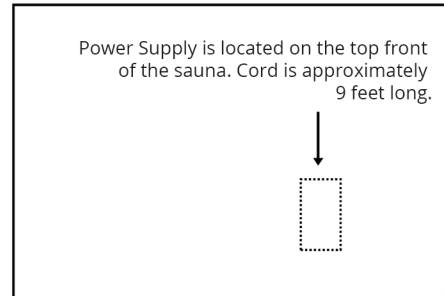
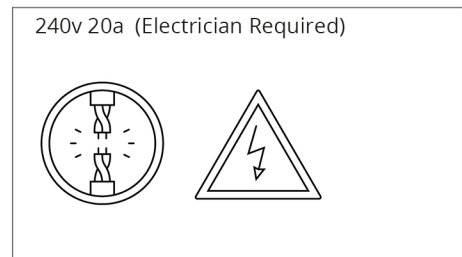
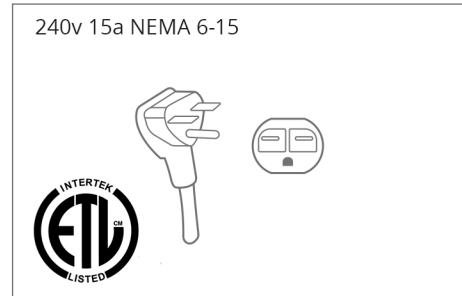
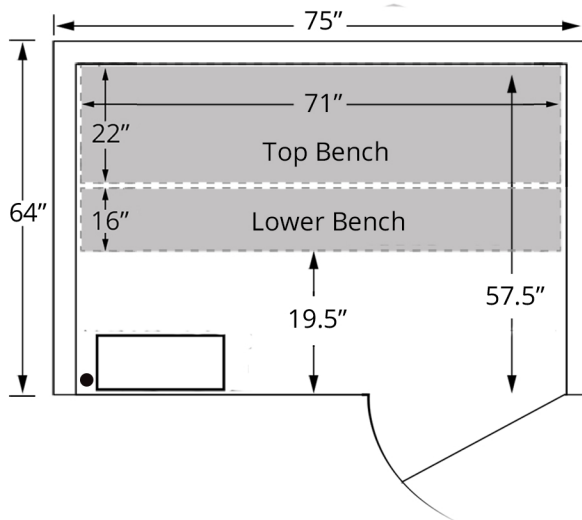


Back



Top View



SPECIFICATIONS

CONSTRUCTION

Canadian Grade "A" Clear Western
Thermal Plus™ European Aspen
Tongue & Groove Construction
Insulated Walls
8mm Tempered Glass

EXTERIOR

Width: 75"
Sides: 64"
Height: 84"

INTERIOR

Width: 71"
Depth: 57.5"
Height: 75"
Top Bench: 71" x 22"
Lower Bench: 71" x 16"

INFRARED HEATERS

Spectrum Plus™
UL Listed
Low EMF/ELF
Power: 240V / 3150w / 15A

TRADITIONAL HEATER

Harvia KIP45B
UL Listed
Power: 240V/1PH/20A